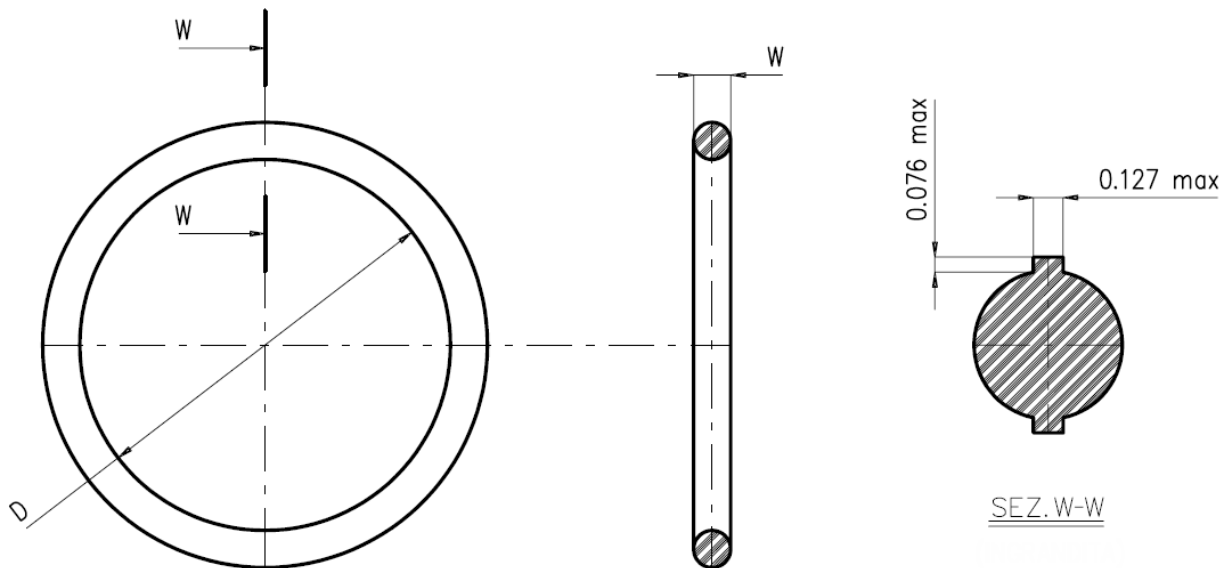


ORING TECHNICAL DATA

COMPOUND: HNBR 70 Shore A GREEN
TEMPERATURE RANGE: -40 °C to +150 °C
REFRIGERANTS COMPATIBILITY: R-134a, R-404A
LUBRICANTS COMPATIBILITY: PAG, POE
DIMENSIONS:



CODE	D (mm)	W $\pm 0,08$ (mm)
522001003	7,65 $\pm 0,13$	1,78
522001004	10,82 $\pm 0,13$	1,78
522001005	14,00 $\pm 0,18$	1,78
522001006	17,17 $\pm 0,23$	1,78

Important notice: This data sheet has been prepared with the greatest care in order to provide you with all the information you need.

Before using with new or untested media, or before using in applications that are not covered in the product information, written advice must first be obtained from Codan Rubber. Please ensure regular inspection of product for operational safety. For safety reasons, hoses must be replaced in the event of damage, especially if the cover is damaged. All products must be stored

and maintained according to our storage, care and maintenance instructions. The individual conditions of use affect the use of each product, hence please ensure that the specifications in our written product information regarding resistance to chemicals and our cleaning procedures are all complied with. The guarantee is void in the event of improper handling, e.g. squashing, rupturing, stretching or filling with media that are not permitted. Unless specified otherwise, all hoses are manufactured to EN ISO 1307:2006.



TECHNICAL DATA: HNBR compound 70 Shore A Green

Plates s = 2 mm

Plates s = 2 mm

Dowels 12,5 x 29 mm

FEATURES	UNITS	VALUE	METHOD
Hardness	Shore A	73	ASTM D 2240
Tensile strength	Mpa	14.9	ASTM D 412/C
Elongation at break	%	300	ASTM D 412/C

COMPRESSION SET

22 hours, 150°C	%	21	ASTM D 395-B
-----------------	---	----	--------------

AGEING IN AIR

70 h, 150°C

Hardness	Points	+ 3	ASTM D 573
Tensile strength	%	- 3	ASTM D 573
Elongation	%	- 9	ASTM D 573

VARIANCES IN OIL IRM 901

70 h, 150°C

Hardness	Points	- 2	ASTM D 471
Tensile strength	%	- 5	ASTM D 471
Elongation	%	- 8	ASTM D 471
Volume	%	+ 6.3	ASTM D 471

VARIANCES IN OIL IRM 903

70 h, 150°C

Hardness	Points	- 8.3	ASTM D 471
Tensile strength	%	- 10	ASTM D 471
Elongation	%	- 8	ASTM D 471
Volume	%	+ 12	ASTM D 471

RESISTANCE TO LOW TEMPERATURE

	°C	- 35	ASTM D 2137 A
RAL		3017	

Important notice: This data sheet has been prepared with the greatest care in order to provide you with all the information you need.

Before using with new or untested media, or before using in applications that are not covered in the product information, written advice must first be obtained from Codan Rubber. Please ensure regular inspection of product for operational safety. For safety reasons, hoses must be replaced in the event of damage, especially if the cover is damaged. All products must be stored

and maintained according to our storage, care and maintenance instructions. The individual conditions of use affect the use of each product, hence please ensure that the specifications in our written product information regarding resistance to chemicals and our cleaning procedures are all complied with. The guarantee is void in the event of improper handling, e.g. squashing, rupturing, stretching or filling with media that are not permitted. Unless specified otherwise, all hoses are manufactured to EN ISO 1307:2006.

